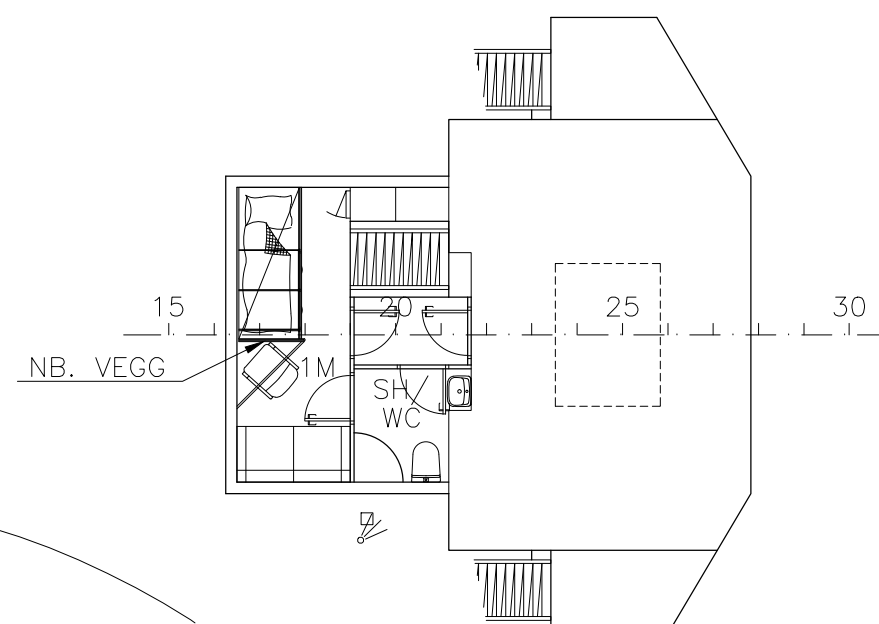
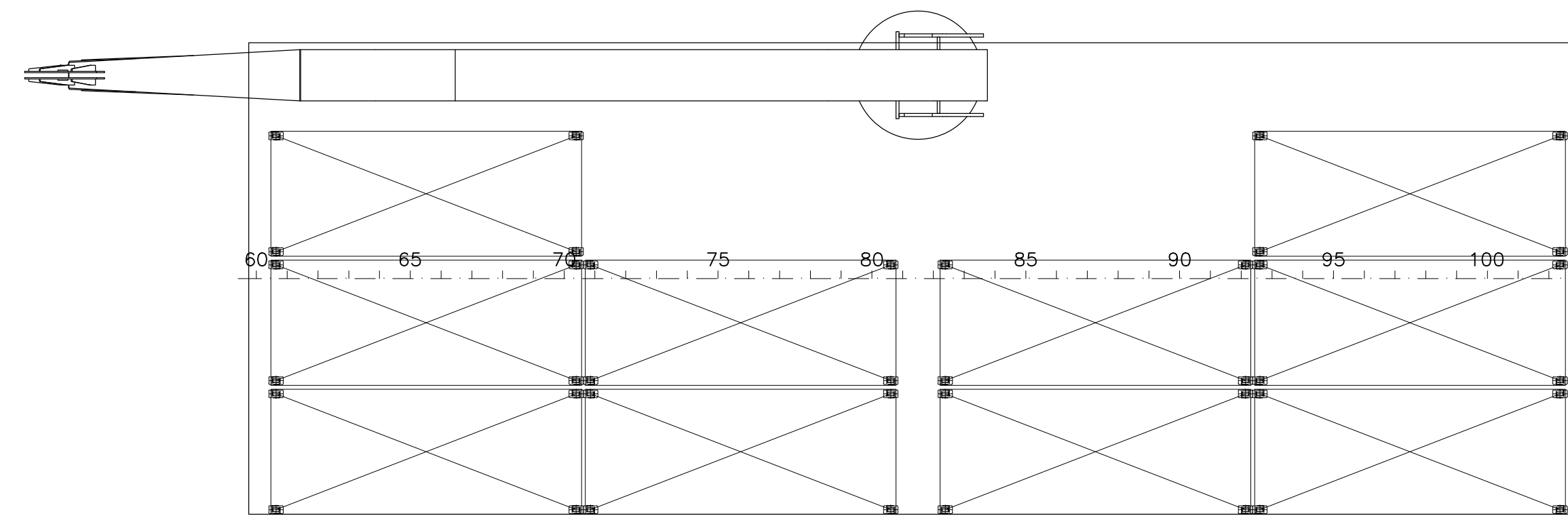


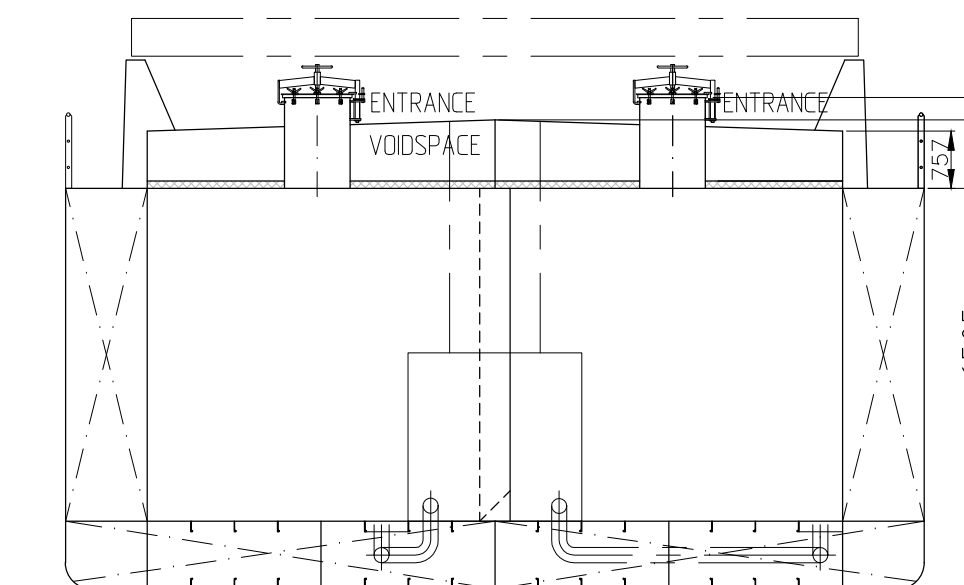
PROFILE



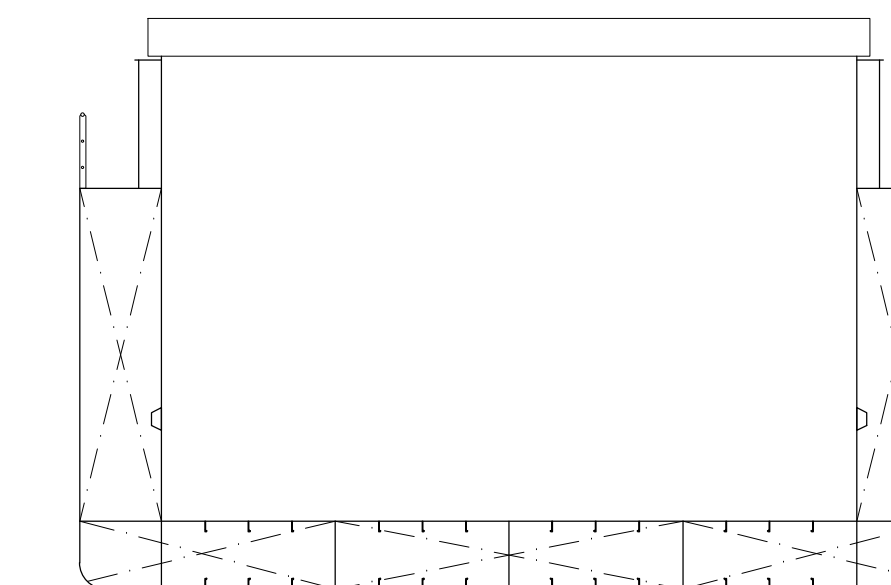
WHEELHOUSE



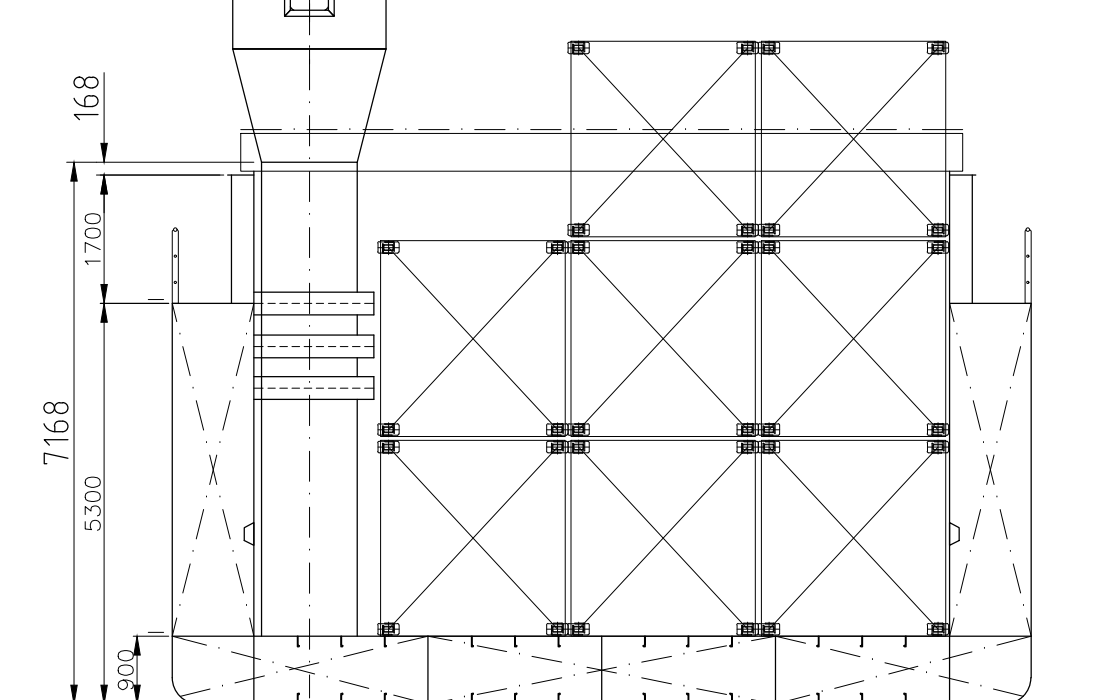
HATCH COVERS



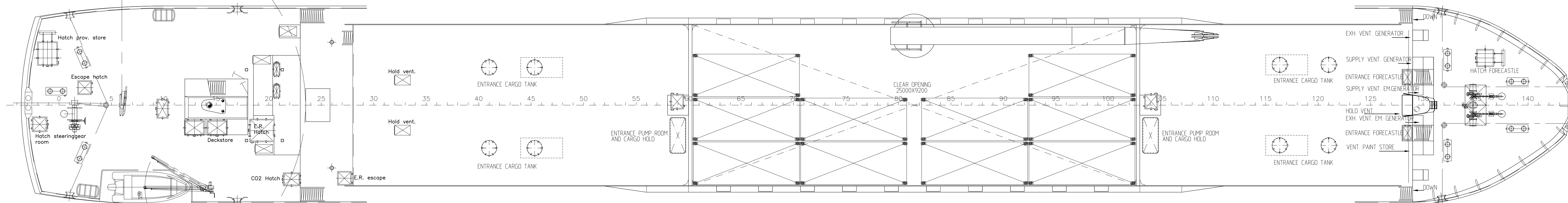
SECTION IN CARGO TANKS



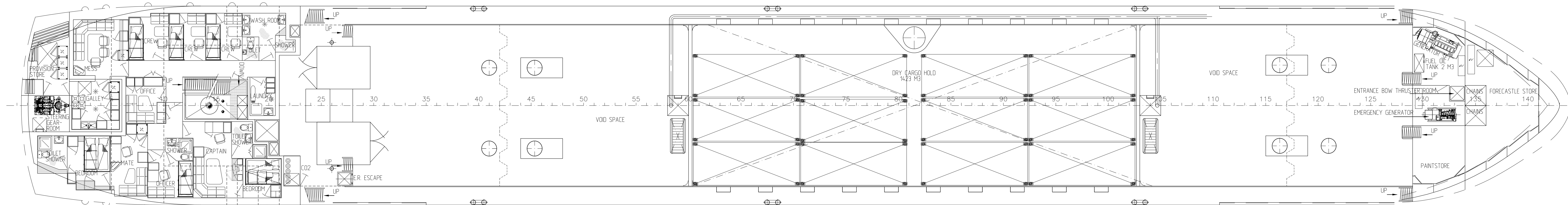
SECTION IN DRY CARGO HOLD



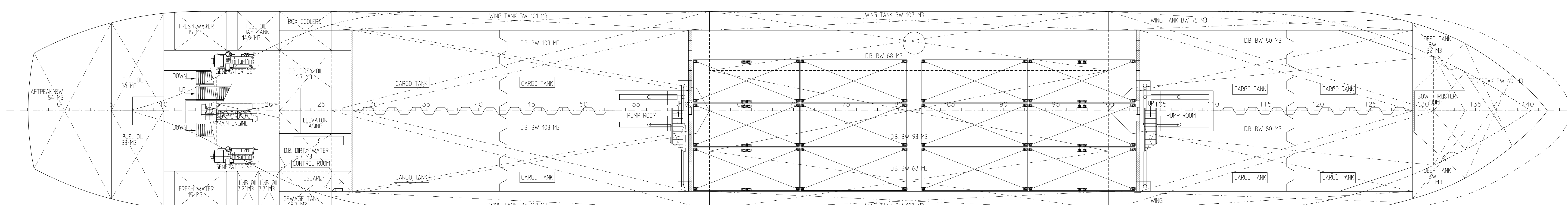
SECTION IN DRY CARGO HOLD



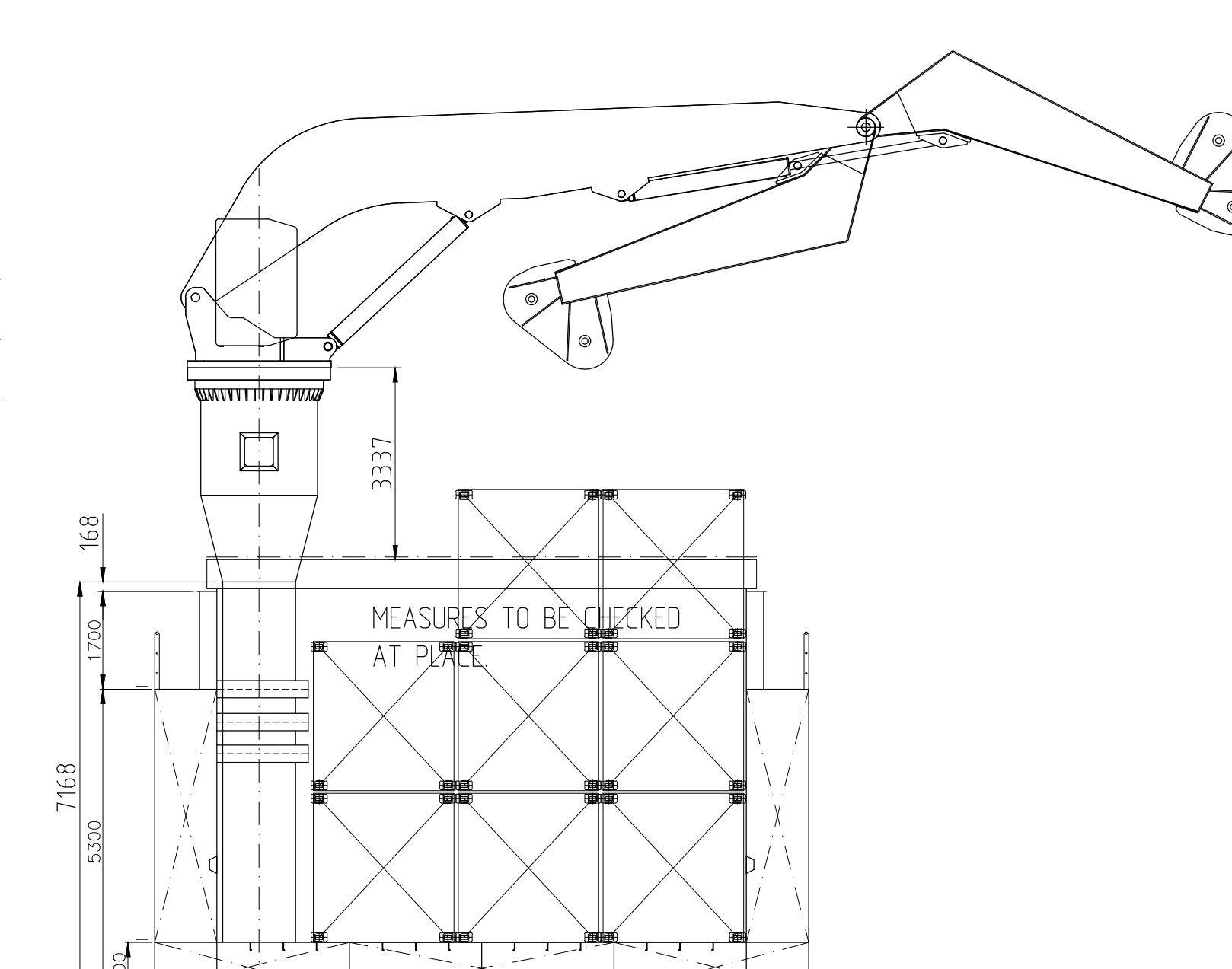
TRUNK DECK



MAIN DECK



TANK TOP



SECTION IN DRY CARGO HOLD

PRINCIPAL PARTICULARS:

LENGTH OVER ALL	89,26 m
LENGTH BETWEEN P.P.	84,99 m
BREADTH MOULDED	11,36 m
BREADTH EXTREME	11,40 m
DEPTH	5,30 m
DESIGN DRAUGHT	3,70 m
FRAME DISTANCE	0,60 m
DRY CARGO HOLD CAPACITY	1405 m ³
CARGO TANK CAPACITY	1360 m ³
BALLAST WATER CAPACITY	1330 m ³
FUEL OIL CAPACITY	83 m ³
POTABLE WATER CAPACITY	30 m ³
GROSS TONNAGE	1623 GT
NET TONNAGE	676 NT
IMO NO.	9163702

M/V "AMALIE"
GENERAL ARRANGEMENT
EXISTING WHEELHOUSE RISED 2 m

Scale: 1/100
Drawn: 09.02.12
Checked: []
Revised by: []
Revised by: []
Drawing no.: 062-179
Rev: H

Karmøy Skipskonsult as
P.O. Box 162 - N-4287 SKJUDNESHAVN - Phone 5294 6000 - Fax 5294 6001
File no.: T:\SKIP\Trasb\062-179-B-GA